

SILENT KNIGHT
ACCESS 4300 SYSTEM
INSTALLATION AND OPERATION MANUAL
REVISED NOVEMBER 1990
PART NUMBER 150457

Table of Contents

1 INTRODUCTION	1
1.1 DESCRIPTION	1
1.2 PRODUCT SPECIFICATIONS	2
1.2.1 INTERFACES 4420 AND 4433	2
1.2.2 CARD READERS	2
2 MOUNTING	2
3 WIRING	4
4 INITIAL PROGRAMMING (PERFORMED BY THE INSTALLER)	7
4.1 PREPARATION	7
4.2 PROGRAMMING	7
4.3 ID CODES	8
5 ON-SITE PROGRAMMING	8
5.1 ADDING CARDS TO THE SYSTEM	8
5.2 REMOVING CARDS FROM THE SYSTEM	8
6 OPERATION AND MAINTENANCE	9
6.1 CARD READER ONLY	9
6.2 4205 KEYPAD ONLY	9
6.3 4205 KEYPAD AND 4150 AUXILIARY CONTROL	9
6.4 CARD READER WITH KEYPAD	9
6.5 REPORTING	9
7 DATA RECORD	10

1 INTRODUCTION

1.1 DESCRIPTION

The Access 4300 System adds the flexibility of access control to the Silent Knight 4000 Series Security System.

The Access 4300 and 4312 Card Readers allow or prevent entry to a building or area by reading magnetically encoded Model 4301 or 4302 Access Cards that cannot be copied or altered. The 4300 is a **card swipe reader**, which means the user must slide a card through the slot for it to be read. The 4312 is a **proximity reader**--it can read the card if it is held within 6" of the reader. The Model 4310 is a lower-cost proximity reader that controls access in interior applications only.

The system can be used with many types of entrances, including standard and sliding doors, parking lot gates and elevator doors. The read head and circuitry are fully encapsulated to withstand tampering and environmental damage. (See figure 1A.)

NOTE: The Silent Knight 4000 Series Security System is not UL Listed for door access control.

Interfacing the card reader to the 4000 system requires the use of either a 4420 Door Access Module or a 4433 Keystation. The card reader receives its power supply from the interface, and may be mounted up to 100 feet away from it. The 4420 also allows use of the weather-resistant Model 4205 Keypad. The 4433 is a full-featured LCD keystation intended for indoor use. The keypads may be used for arming and disarming the system as well as for access.

The card reader and keypad can also be used to activate relays on the Model 4150 Auxiliary Control, which may control additional entrances or devices such as a garage door or lights.

All the features of a keypad door access are also available in the card access mode. Each user code can be programmed so that it gives access to only a limited number of doors, and/or only during certain time periods each day.

The Silent Knight 4000 series control panel has the capability of recording each door access event on a printer connected to the control panel. It can also send this information over a telephone line to a central alarm station to be recorded and monitored.

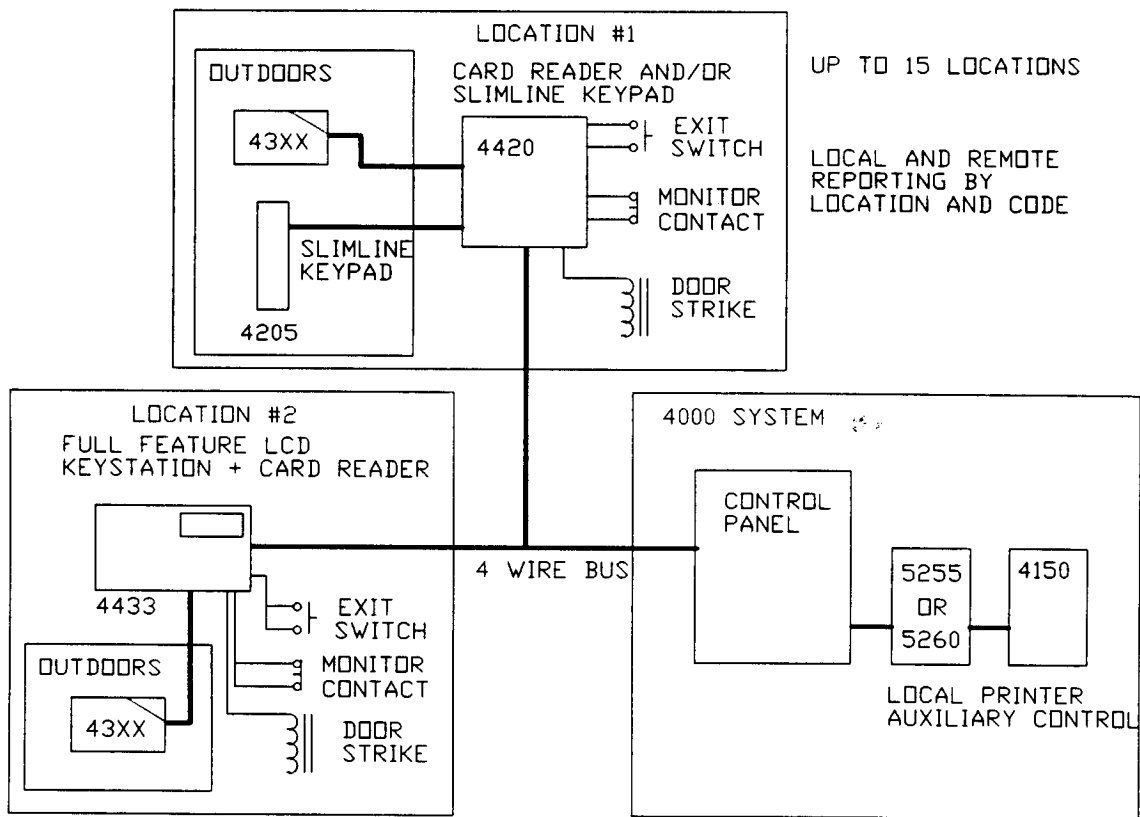


FIGURE 1.1A ACCESS 4300 SYSTEM COMPONENTS

NOTE: Installing company must provide door strike or magnetic holder and power supply to operate it.

1.2 PRODUCT SPECIFICATIONS

1.2.1 INTERFACES 4420 AND 4433

Power Input: Relay Contacts:	12 VDC, 30 mA (without card reader) 4420: 5 amps, 24 VAC/DC 4433: 1 amp, 24 VAC/DC
Card reader power: Data I/O input: LED output:	5 VDC, 100 mA max. 12 VDC max. open collector, 12 VDC, 100 mA max.
Data input pulse: Maximum bit rate: Minimum bit rate: Format:	11 μ s min., 250 μ s max. 3300 B/S 7 B/S 26 bit, 24 data + 2 parity Wiegand format

1.2.2 CARD READERS

CARD READER	SUPPLY VOLTAGE	SUPPLY CURRENT	OUTPUT SINK CURRENT	OUTPUT SOURCE CURRENT	OUTPUT PULSE WIDTH	OPERATING TEMP.	MAX. READER TO RECEIVER DISTANCE
4300	5 VDC (+ or -5%)	25 mA	8 mA	5 mA	20 μ s typ.	-40° F to +130° F	100 feet
4310	12 VDC (+ or -5%)	130 mA	8 mA	5 mA	20 μ s typ.	-22° F to +149° F	100 feet
4312	12 VDC (+ or -5%)	130 mA	8 mA	5 mA	20 μ s typ.	-22° F to +149° F	100 feet

2 MOUNTING

The Access 4300 Card Reader can be mounted on any flat, vertical surface with two #10 bolts. (See figure 2A.) Once mounted, the reader front is covered by applying the pressure-sensitive dress panel or label (see figure 2B).

When mounting the 4310 or 4312, use flat-head screws. Drill a ¼-inch (0.6 cm) or larger hole for the cable (see figure 2C).

If the 4300 will be in a location where it will be exposed to snow, it should be mounted in a vertical position to prevent accumulated snow from clogging the card slot.

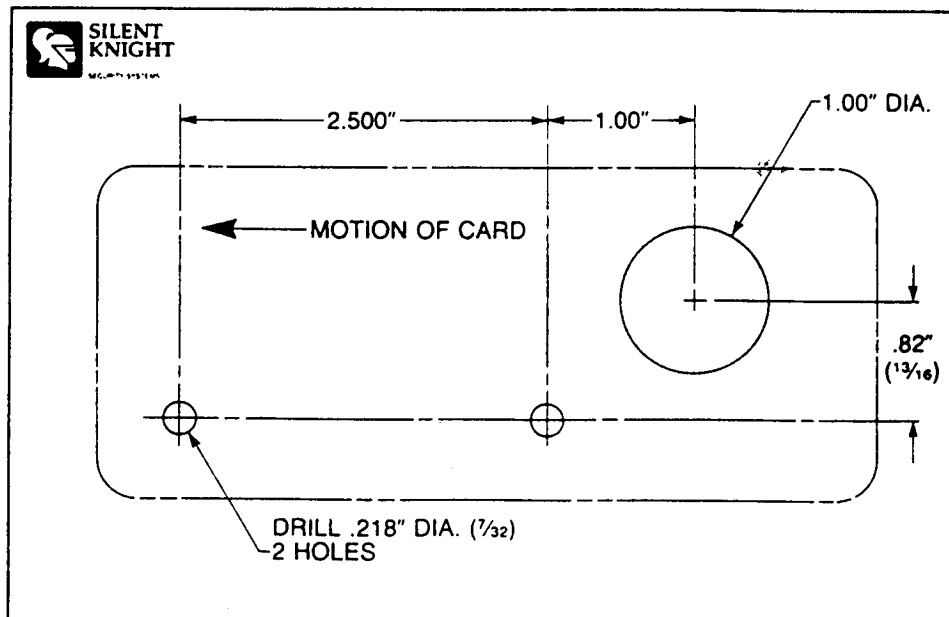


FIGURE 2A: ACCESS 4300 CARD READER MOUNTING TEMPLATE
SEEN LOOKING THROUGH READER FROM FRONT

The Silent Knight Access 4300 System is Composed of:

- Card Reader(s), Model 4300, 4310, 4312*
- Access Cards, Model 4301
- Card Reader Interface, Model 4420
- Keystation, 4433 (with English Language LCD)
- Keystation, 4205*

*optional or interchangeable

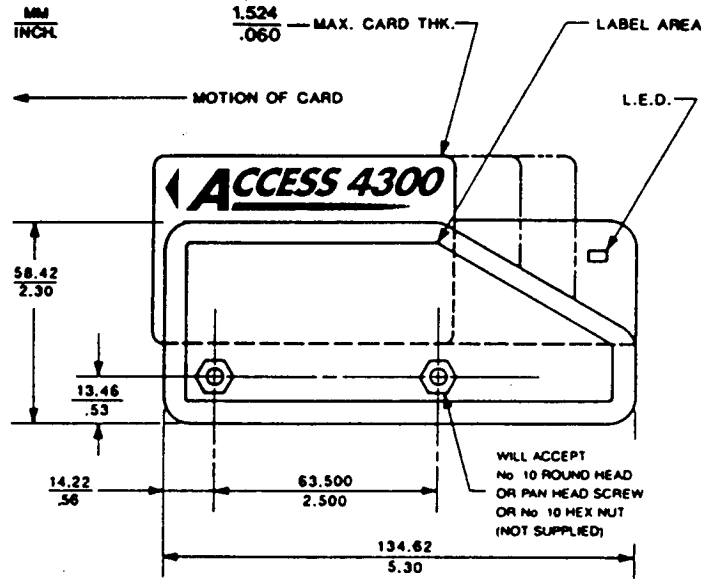
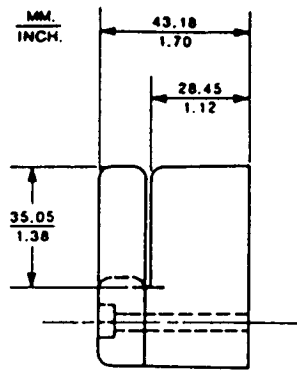


FIGURE 2B: ACCESS 4300 CARD READER MOUNTING DIMENSIONS

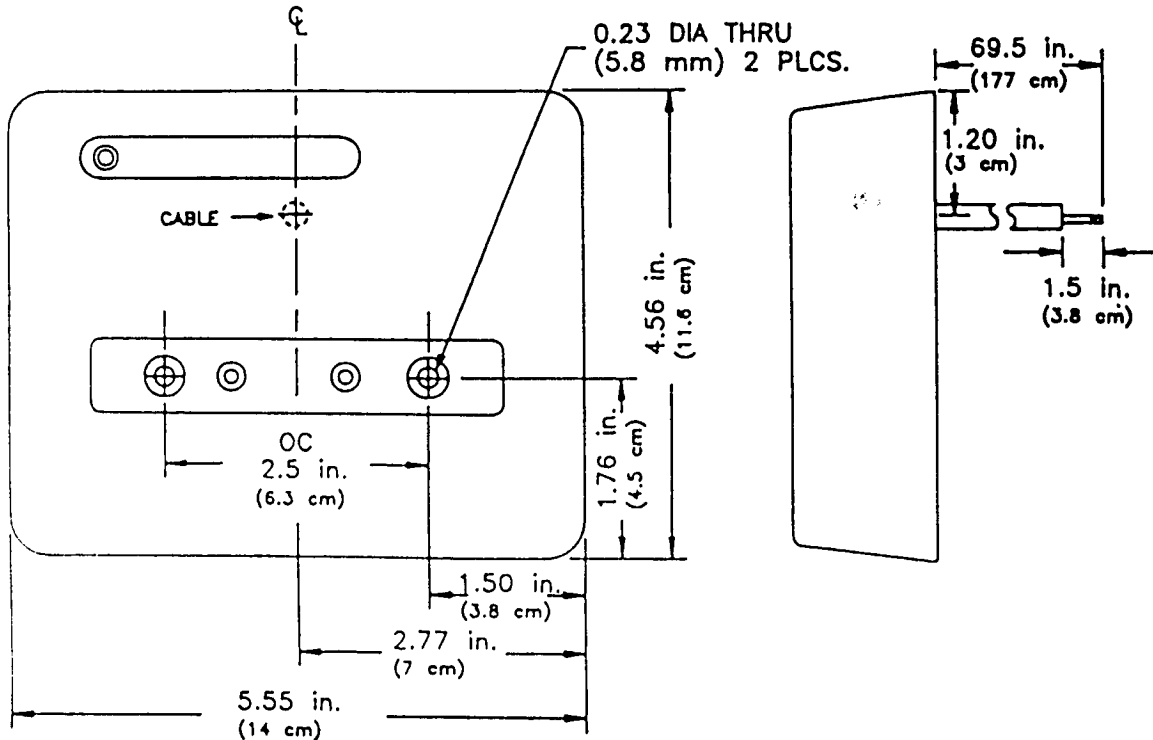


FIGURE 2C: ACCESS 4310/4312 CARD READER MOUNTING DIMENSIONS

3 WIRING

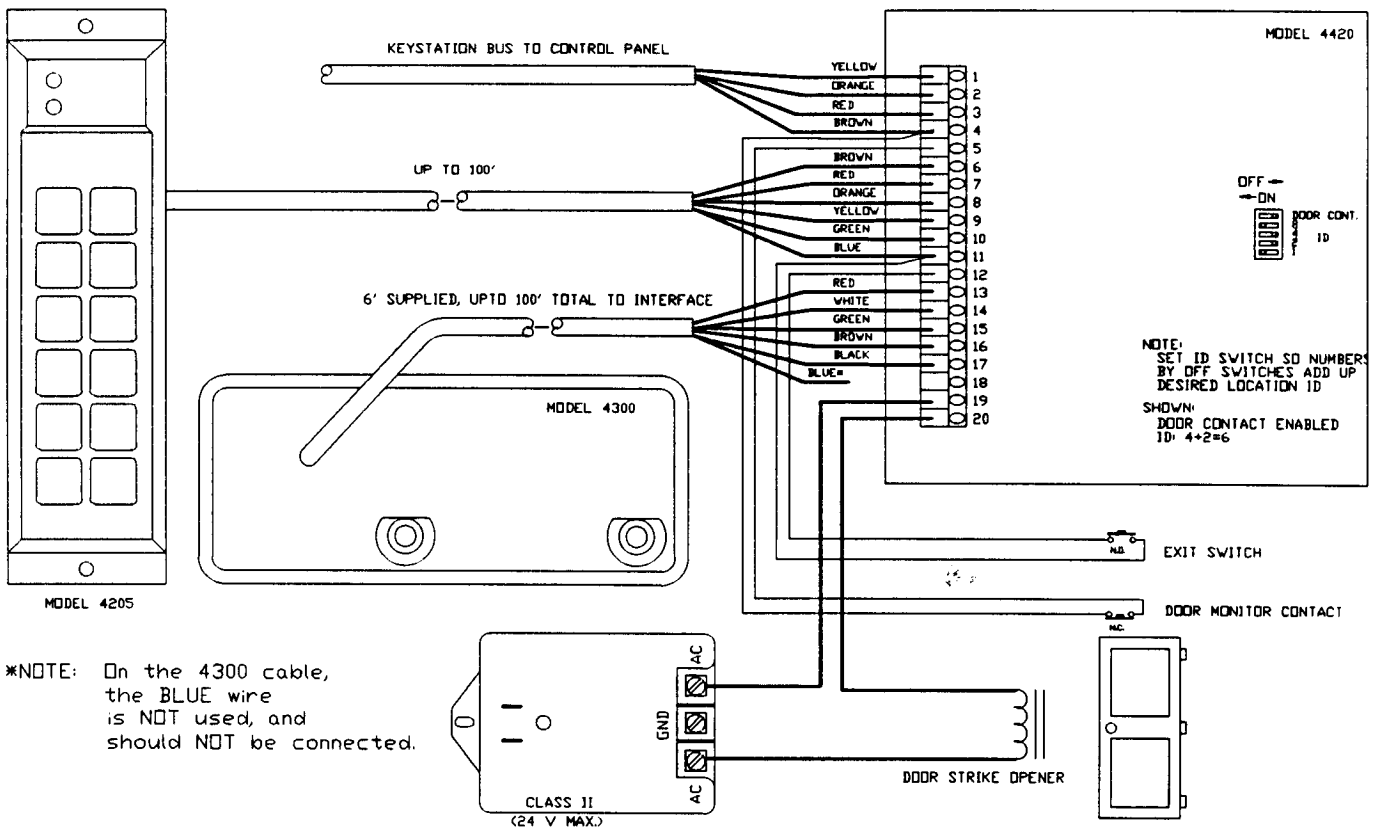
The Model 4420 Door Access Module or 4433 Keystation is connected to the 4000 Series Control/Communicator Panel through a 4-wire keystation bus. Either interface can be mounted up to 1000 feet from the control panel.

The Access 4300 Card Reader is connected to the Model 4420 module (or to the 4433 keystation) by a 5-wire cable*. See figure 3A if installing the 4300 Card Reader, or figure 3B if installing the 4310 or 4312. Figures 3C and 3E show how to connect the Model 4433 Keystation. Magnetic lock wiring is shown in figure 3D. A Model 4205 Keypad can be used instead of or together with the card reader. The card reader and keypad can be installed up to 100 feet from the Model 4420 Door Access Module.

***NOTE:** If the card reader cable has 6 wires, the sixth wire (blue) is not used, and should **NOT** be connected to anything.

A control panel can be connected to a maximum of 15 Model 4420 or 4433 interfaces. However, only one card reader and one Model 4205 Keypad can be connected to each Model 4420 Door Access Module.

The 4420 and 4433 each has inputs for an exit switch and for a normally closed door contact. The exit switch is a normally open contact that will activate the door relay manually. The door contact is used for reporting trouble conditions on the door. If the door contact is unused, DIP switch #5 should be placed in the "on" position. The 4420 has an auxiliary connector, which allows the installer to temporarily connect a keypad to the door access module so that this can be used for the programming procedure.



*NOTE: On the 4300 cable, the BLUE wire is NOT used, and should NOT be connected.

FIGURE 3A: MODEL 4300 CARD READER CONNECTION TO 4420 ACCESS INTERFACE

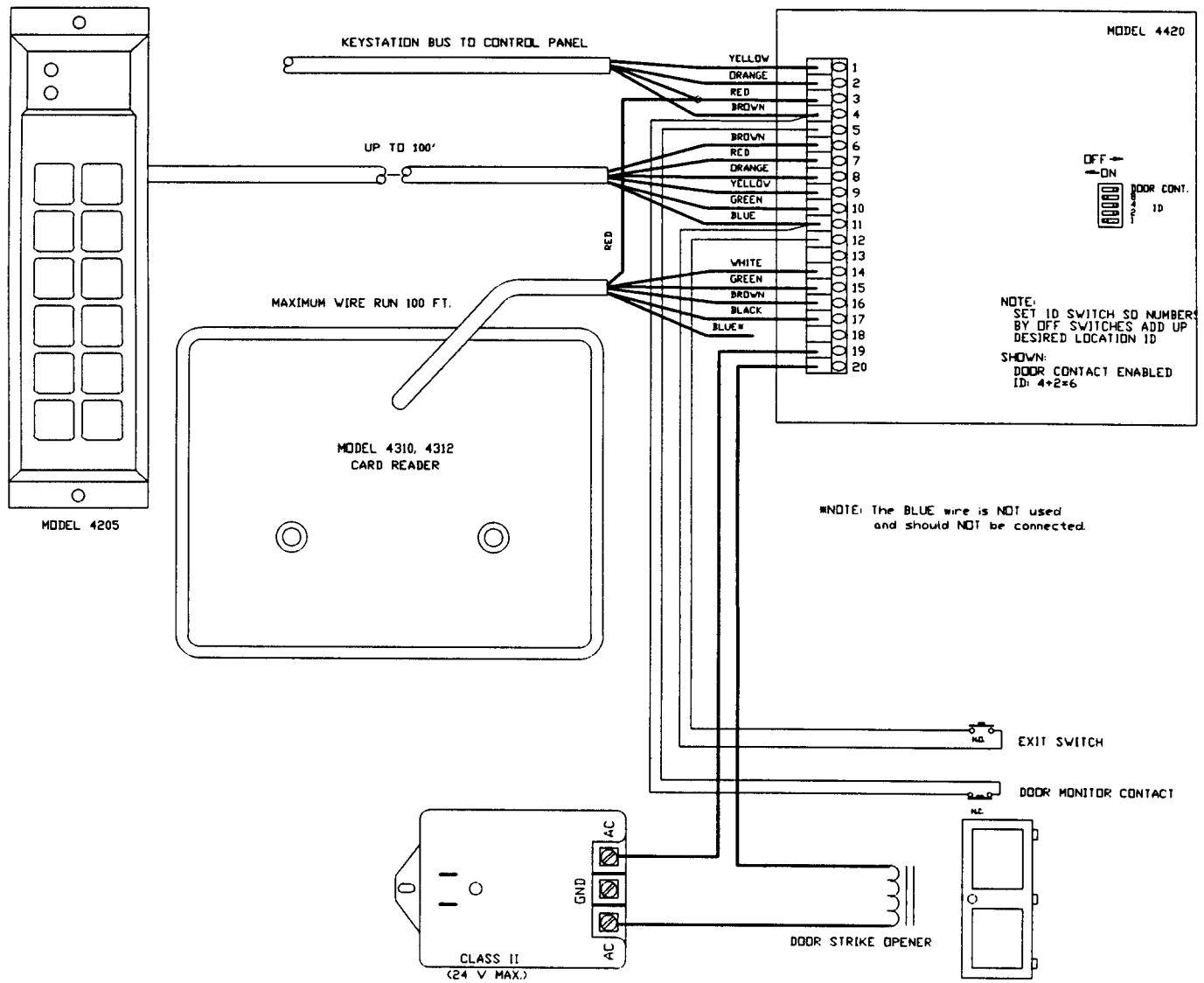


FIGURE 3B: MODEL 4310/4312 CARD READER CONNECTION TO 4420 ACCESS INTERFACE

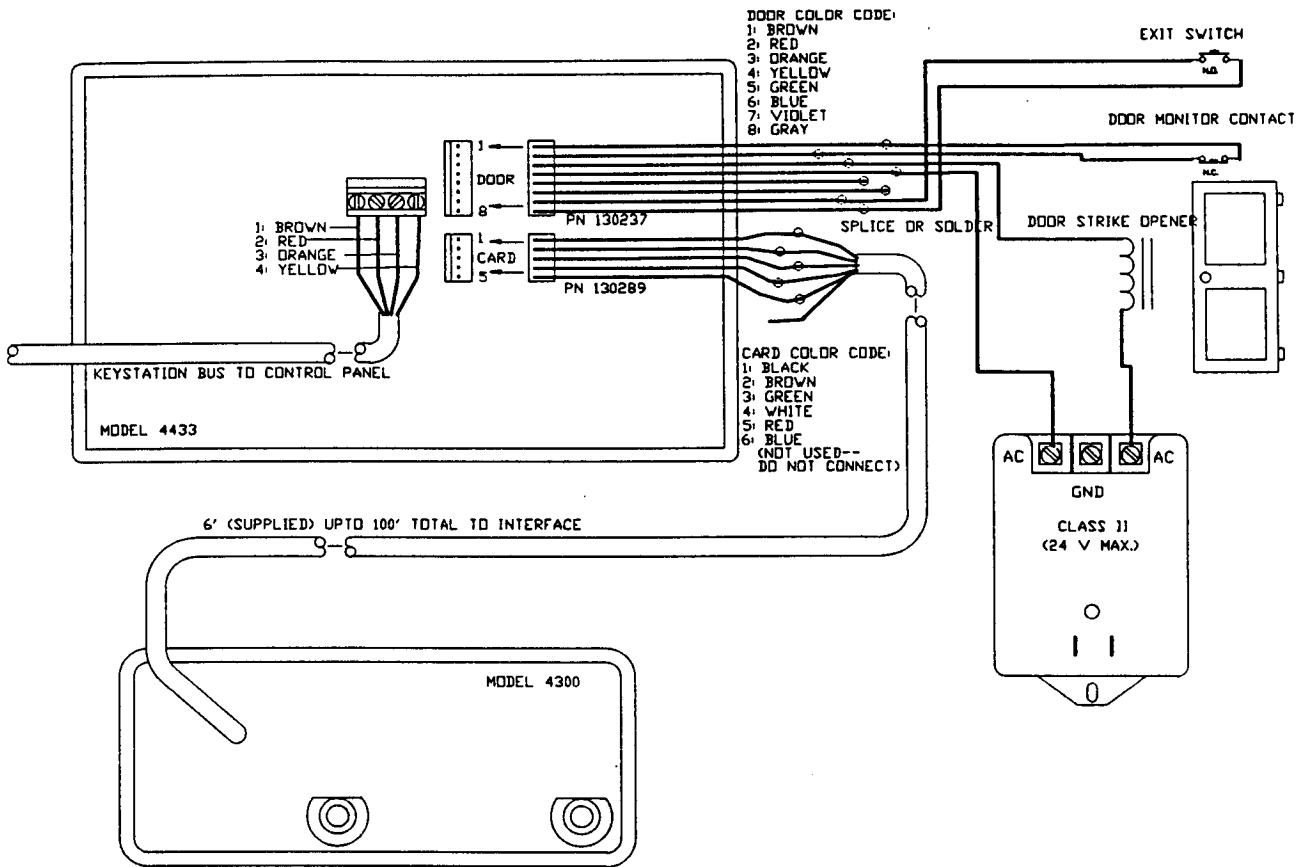


FIGURE 3C: MODEL 4300 CARD READER CONNECTION TO 4433 (4430A) KEYSTATION

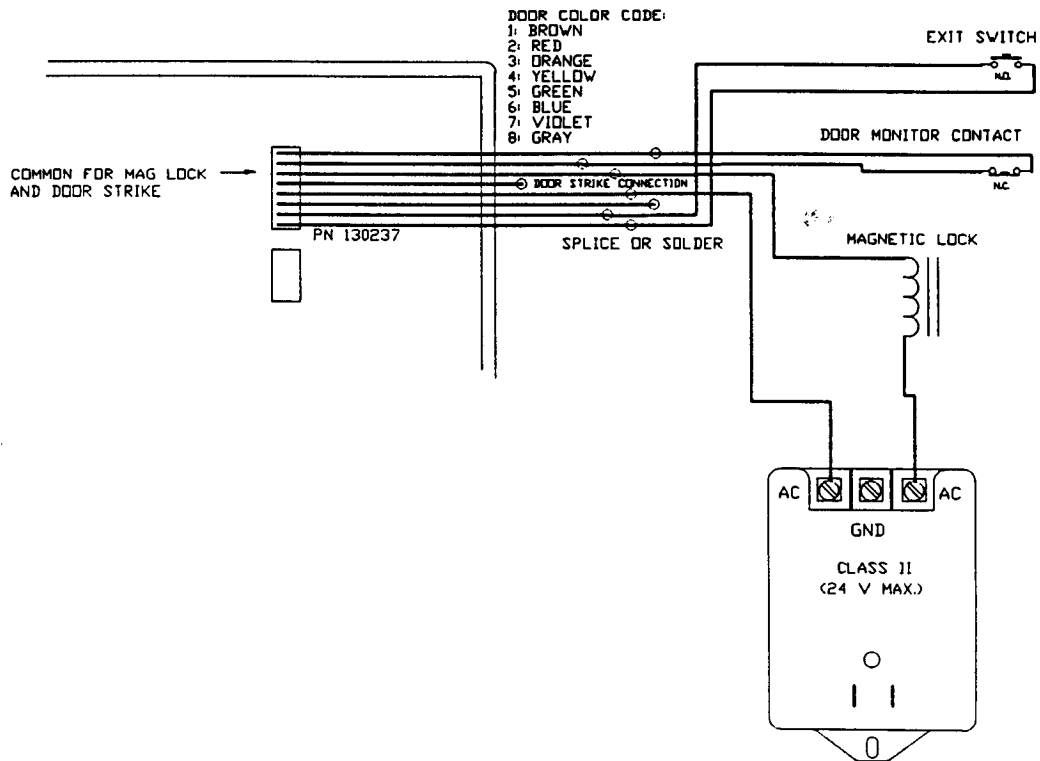


FIGURE 3D: MAGNETIC LOCK WIRING

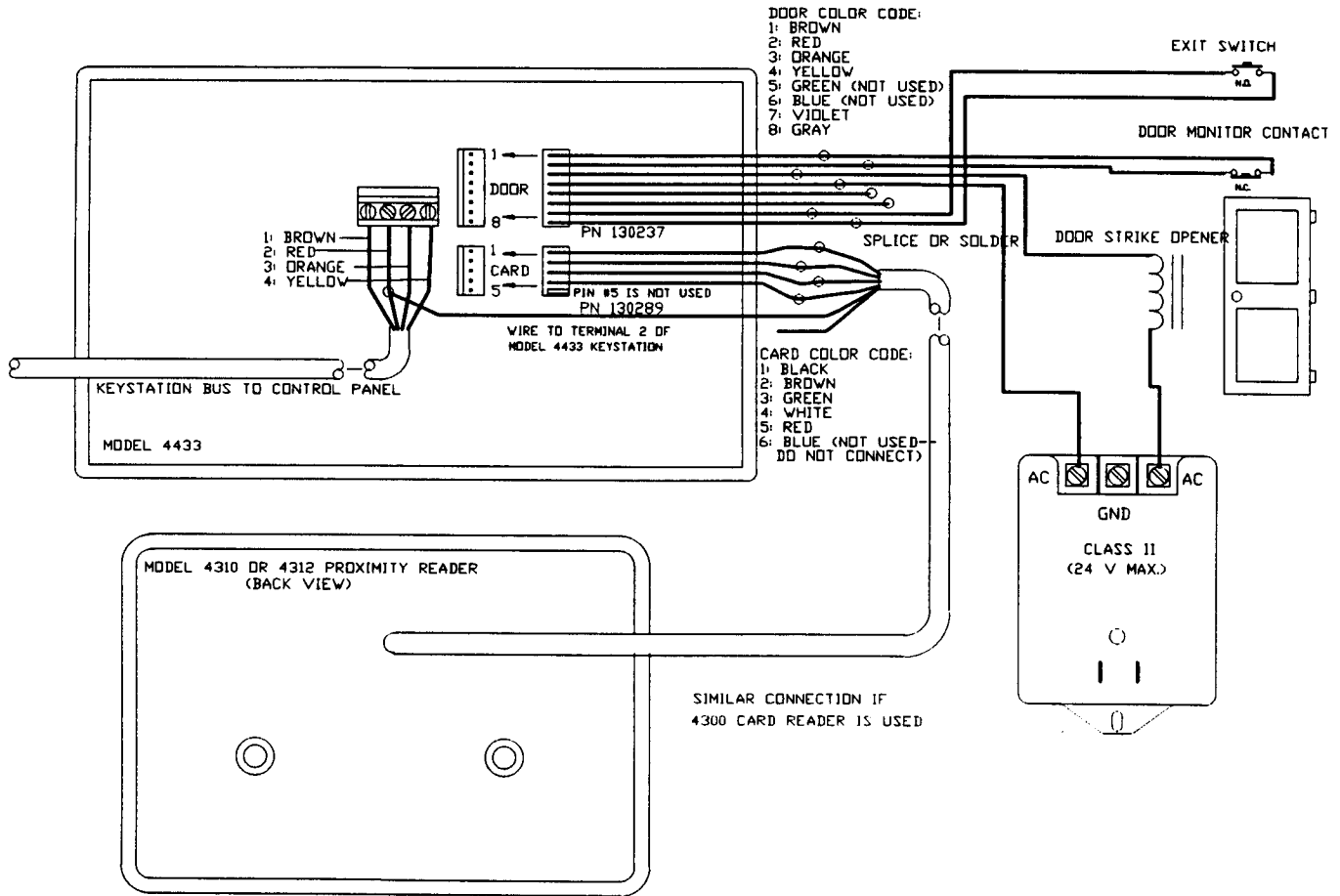


FIGURE 3E: MODEL 4310/4312 CARD READER CONNECTION TO 4433 KEYSTATION

4 INITIAL PROGRAMMING (PERFORMED BY THE INSTALLER)

4.1 PREPARATION

Up to 98 different card codes can be programmed into the 4000 Series Control/Communicator Panel. Before programming the system, reserve separate blocks of code location numbers for card and keypad entry. For example, you could assign locations 2-50 to people who use cards and locations 51-99 to people who enter their codes on a keypad. Location 1 (the master code) must be reserved for programming access for the system.

Within the card and keypad blocks, reserve separate blocks for the various options. For example, when assigning time windows, you could set code numbers 50, 51 and 52 for ALWAYS and the remaining code numbers for WEEKDAY BUSINESS HOURS ONLY. If access is to be restricted to certain doors, group the door selections together within the card and keypad blocks. Keeping the options together in blocks makes it easier to maintain the system.

On the sheets provided, record the program options selected for each code number.

4.2 PROGRAMMING

To program time windows and door restrictions, use the Silent Knight Model 5520 programmer, or the 5540 downloading software. The default settings allow access to all stations at all times. See the 4000 Series installation manual for further details on programming.

4.3 ID CODES

Each keystation must have its own identification code. For best results, the ID numbers should start at 1 and progress sequentially to the last keystation or 4420 Door Access Module. Table 4.3 - 1 below shows the positions of the switches for specific ID numbers.

TABLE 4.3 - 1: KEYSTATION SWITCH POSITIONS

ID#	SW #1	SW #2	SW #3	SW #4
*0	ON	ON	ON	ON
1	OFF	ON	ON	ON
2	ON	OFF	ON	ON
3	OFF	OFF	ON	ON
4	ON	ON	OFF	ON
5	OFF	ON	OFF	ON
6	ON	OFF	OFF	ON
7	OFF	OFF	OFF	ON
8	ON	ON	ON	OFF
9	OFF	ON	ON	OFF
10	ON	OFF	ON	OFF
11	OFF	OFF	ON	OFF
12	ON	ON	OFF	OFF
13	OFF	ON	OFF	OFF
14	ON	OFF	OFF	OFF
15	OFF	OFF	OFF	OFF

*NOTE: Stations set to ID #0 WILL NOT be supervised, and cannot be used with a doorstrike.

5 ON-SITE PROGRAMMING

5.1 ADDING CARDS TO THE SYSTEM

Use the following procedure to program or add cards to the system:

1. A keystation with display is required to initiate the programming sequence. If you are using a card reader with a 4433 Keystation, proceed to Step 3. Otherwise, use a keystation near the card reader or connected to the 4420 interface to initiate programming.
2. Set the DIP switch on the back of the programming keystation to the same identification code as that of the Model 4420.
3. To go into the program mode, enter **7** **TEST** and the master code (assigned to code location number 1).
4. Enter the location number (2-99) at which you wish to program the first card user code and press the **TEST** key. If you prefer, press the **TEST** key to advance to the desired number.
5. Slide the cards through the card reader one by one. As you do so, write the user name and the "hot stamp number" imprinted on the back of each card on the information sheet. Cards will be programmed into successive code locations following the location you selected in step 4.
6. Return to the keystation and press the **MUTE** key twice to exit the program mode. If you are using a keystation temporarily plugged into the 4420, remove it or reprogram the DIP switches to their final settings.

NOTE 1: Never use sharp objects to press the keys. Such objects will damage the keypad.

NOTE 2: If you make an error in programming the cards, restart the procedure from step. 1.

NOTE 3: The secret codes may be viewed and recorded by restarting the programming procedure and pressing the **TEST** key to advance to each code.

5.2 REMOVING CARDS FROM THE SYSTEM

To remove a card from the system, first press **7** **TEST** followed by the master code. Then advance to the card you wish to remove, press **CLEAR**, **TEST**, then press the **MUTE** key twice.

6 OPERATION AND MAINTENANCE

6.1 CARD READER ONLY

If using the Model 4300 Card Swipe Reader, simply slide the card through the reader from right to left. If using the 4310 or 4312 Proximity Reader, hold the card within 6 inches of the reader. After a one-second delay, the normally red LED on the card reader will turn green, indicating that the relay is activated. If it does not change, access has been denied. If a second card is inserted or presented before the relay closes, the delay time will be renewed.

6.2 4205 KEYPAD ONLY

To enter the restricted area, press the **(DOOR)** key followed by a valid user code. The system may be armed or disarmed by entering a valid user code.

6.3 4205 KEYPAD AND 4150 AUXILIARY CONTROL

The 4205 Keypad can also be used to operate the 4150 Auxiliary Control Relays. To control specific relays via the keypad, program them for MANUAL RELAYS on the 4150. To activate a specific auxiliary relay, enter the relay number, then press the **(DOOR)** key.

To restrict access to the 4150 itself, so that it can only be activated with a valid user code, select NEED CODE FOR AUX when programming the 4000 Series Control. When using this option, enter the user code after pressing the **(DOOR)** key.

6.4 CARD READER WITH KEYPAD

Using the 4300 Card Reader with the 4205 Keypad or 4433 Keystation provides the greatest flexibility. To incorporate them into the system, select the NEED CODE FOR AUX option on the 4000 Series Control. To activate a particular auxiliary control relay, enter the relay number on the keypad, then slide the card through the reader.

NOTE: If the 4150 auxiliary control is used as described, all valid cards and codes at all locations have the ability to activate auxiliary relays. They are NOT restricted by time windows and locations.

6.5 REPORTING

All activity on the card reader and the 4205 keypad can be printed locally and/or reported to the central station. Reports reference the station number, as set on the ID DIP switch, and the code number. See the 4000 system and dialer programming options for information on door access reporting.

7 DATA RECORD

TIME WINDOW AND ACCESS LOCATION TABLES

Special Days: SUN MON TUE WED THU FRI SAT (Circle)

Closed Days: SUN MON TUE WED THU FRI SAT (Circle)

Normal Time Windows (valid on days not selected as Special or Closed):

- 0 Fixed at ALWAYS valid.
- 1 Fixed at NEVER valid.
- 2 Valid FROM ___:___ UNTIL ___:___
- 3 Valid FROM ___:___ UNTIL ___:___
- 4 Valid FROM ___:___ UNTIL ___:___
- 5 Valid FROM ___:___ UNTIL ___:___
- 6 Valid FROM ___:___ UNTIL ___:___
- 7 Valid FROM ___:___ UNTIL ___:___
- 8 Valid FROM ___:___ UNTIL ___:___
- 9 Valid FROM ___:___ UNTIL ___:___
- 10 Valid FROM ___:___ UNTIL ___:___
- 11 Valid FROM ___:___ UNTIL ___:___
- 12 Valid FROM ___:___ UNTIL ___:___
- 13 Valid FROM ___:___ UNTIL ___:___
- 14 Valid FROM ___:___ UNTIL ___:___
- 15 Valid FROM ___:___ UNTIL ___:___

Special Time Windows (valid on days selected as Special):

- 0 Fixed at ALWAYS valid.
- 1 Fixed at NEVER valid.
- 2 Valid FROM ___:___ UNTIL ___:___
- 3 Valid FROM ___:___ UNTIL ___:___
- 4 Valid FROM ___:___ UNTIL ___:___
- 5 Valid FROM ___:___ UNTIL ___:___
- 6 Valid FROM ___:___ UNTIL ___:___
- 7 Valid FROM ___:___ UNTIL ___:___
- 8 Valid FROM ___:___ UNTIL ___:___
- 9 Valid FROM ___:___ UNTIL ___:___
- 10 Valid FROM ___:___ UNTIL ___:___
- 11 Valid FROM ___:___ UNTIL ___:___
- 12 Valid FROM ___:___ UNTIL ___:___
- 13 Valid FROM ___:___ UNTIL ___:___
- 14 Valid FROM ___:___ UNTIL ___:___
- 15 Valid FROM ___:___ UNTIL ___:___

Door Location Description (as set on DIP switch at each 4433 keystation or 4420 access interface):

- 1. _____
- 2. _____
- 3. _____
- 4. _____
- 5. _____
- 6. _____
- 7. _____
- 8. _____
- 9. _____
- 10. _____
- 11. _____
- 12. _____
- 13. _____
- 14. _____
- 15. _____

4300 CARD LOG SHEET

TIME WINDOW #

ID#	USER NAME	HOT STAMP	CODE	ACCESS FOR:	ACCESS AT DOORS:	NORM	SPEC
0		-		DR SH CL OP	1 2 3 4 5 6 7 8 9 10 11 12 13 14 15		
1		-		DR SH CL OP	1 2 3 4 5 6 7 8 9 10 11 12 13 14 15		
2		-		DR SH CL OP	1 2 3 4 5 6 7 8 9 10 11 12 13 14 15		
3		-		DR SH CL OP	1 2 3 4 5 6 7 8 9 10 11 12 13 14 15		
4		-		DR SH CL OP	1 2 3 4 5 6 7 8 9 10 11 12 13 14 15		
5		-		DR SH CL OP	1 2 3 4 5 6 7 8 9 10 11 12 13 14 15		
6		-		DR SH CL OP	1 2 3 4 5 6 7 8 9 10 11 12 13 14 15		
7		-		DR SH CL OP	1 2 3 4 5 6 7 8 9 10 11 12 13 14 15		
8		-		DR SH CL OP	1 2 3 4 5 6 7 8 9 10 11 12 13 14 15		
9		-		DR SH CL OP	1 2 3 4 5 6 7 8 9 10 11 12 13 14 15		
10		-		DR SH CL OP	1 2 3 4 5 6 7 8 9 10 11 12 13 14 15		
11		-		DR SH CL OP	1 2 3 4 5 6 7 8 9 10 11 12 13 14 15		
12		-		DR SH CL OP	1 2 3 4 5 6 7 8 9 10 11 12 13 14 15		
13		-		DR SH CL OP	1 2 3 4 5 6 7 8 9 10 11 12 13 14 15		
14		-		DR SH CL OP	1 2 3 4 5 6 7 8 9 10 11 12 13 14 15		
15		-		DR SH CL OP	1 2 3 4 5 6 7 8 9 10 11 12 13 14 15		
16		-		DR SH CL OP	1 2 3 4 5 6 7 8 9 10 11 12 13 14 15		
17		-		DR SH CL OP	1 2 3 4 5 6 7 8 9 10 11 12 13 14 15		
18		-		DR SH CL OP	1 2 3 4 5 6 7 8 9 10 11 12 13 14 15		
19		-		DR SH CL OP	1 2 3 4 5 6 7 8 9 10 11 12 13 14 15		
20		-		DR SH CL OP	1 2 3 4 5 6 7 8 9 10 11 12 13 14 15		
21		-		DR SH CL OP	1 2 3 4 5 6 7 8 9 10 11 12 13 14 15		
22		-		DR SH CL OP	1 2 3 4 5 6 7 8 9 10 11 12 13 14 15		
23		-		DR SH CL OP	1 2 3 4 5 6 7 8 9 10 11 12 13 14 15		
24		-		DR SH CL OP	1 2 3 4 5 6 7 8 9 10 11 12 13 14 15		
25		-		DR SH CL OP	1 2 3 4 5 6 7 8 9 10 11 12 13 14 15		
26		-		DR SH CL OP	1 2 3 4 5 6 7 8 9 10 11 12 13 14 15		
27		-		DR SH CL OP	1 2 3 4 5 6 7 8 9 10 11 12 13 14 15		
28		-		DR SH CL OP	1 2 3 4 5 6 7 8 9 10 11 12 13 14 15		
29		-		DR SH CL OP	1 2 3 4 5 6 7 8 9 10 11 12 13 14 15		
30		-		DR SH CL OP	1 2 3 4 5 6 7 8 9 10 11 12 13 14 15		
31		-		DR SH CL OP	1 2 3 4 5 6 7 8 9 10 11 12 13 14 15		
32		-		DR SH CL OP	1 2 3 4 5 6 7 8 9 10 11 12 13 14 15		
33		-		DR SH CL OP	1 2 3 4 5 6 7 8 9 10 11 12 13 14 15		
34		-		DR SH CL OP	1 2 3 4 5 6 7 8 9 10 11 12 13 14 15		
35		-		DR SH CL OP	1 2 3 4 5 6 7 8 9 10 11 12 13 14 15		
36		-		DR SH CL OP	1 2 3 4 5 6 7 8 9 10 11 12 13 14 15		
37		-		DR SH CL OP	1 2 3 4 5 6 7 8 9 10 11 12 13 14 15		
38		-		DR SH CL OP	1 2 3 4 5 6 7 8 9 10 11 12 13 14 15		
39		-		DR SH CL OP	1 2 3 4 5 6 7 8 9 10 11 12 13 14 15		
40		-		DR SH CL OP	1 2 3 4 5 6 7 8 9 10 11 12 13 14 15		
41		-		DR SH CL OP	1 2 3 4 5 6 7 8 9 10 11 12 13 14 15		
42		-		DR SH CL OP	1 2 3 4 5 6 7 8 9 10 11 12 13 14 15		
43		-		DR SH CL OP	1 2 3 4 5 6 7 8 9 10 11 12 13 14 15		
44		-		DR SH CL OP	1 2 3 4 5 6 7 8 9 10 11 12 13 14 15		
45		-		DR SH CL OP	1 2 3 4 5 6 7 8 9 10 11 12 13 14 15		
46		-		DR SH CL OP	1 2 3 4 5 6 7 8 9 10 11 12 13 14 15		
47		-		DR SH CL OP	1 2 3 4 5 6 7 8 9 10 11 12 13 14 15		
48		-		DR SH CL OP	1 2 3 4 5 6 7 8 9 10 11 12 13 14 15		
49		-		DR SH CL OP	1 2 3 4 5 6 7 8 9 10 11 12 13 14 15		

(50-99 continued on next page)

4300 CARD LOG SHEET

TIME WINDOW #

ID#	USER NAME	HOT STAMP	CODE	ACCESS FOR:	ACCESS AT DOORS:	NORM	SPEC
50		-		DR SH CL OP	1 2 3 4 5 6 7 8 9 10 11 12 13 14 15		
51		-		DR SH CL OP	1 2 3 4 5 6 7 8 9 10 11 12 13 14 15		
52		-		DR SH CL OP	1 2 3 4 5 6 7 8 9 10 11 12 13 14 15		
53		-		DR SH CL OP	1 2 3 4 5 6 7 8 9 10 11 12 13 14 15		
54		-		DR SH CL OP	1 2 3 4 5 6 7 8 9 10 11 12 13 14 15		
55		-		DR SH CL OP	1 2 3 4 5 6 7 8 9 10 11 12 13 14 15		
56		-		DR SH CL OP	1 2 3 4 5 6 7 8 9 10 11 12 13 14 15		
57		-		DR SH CL OP	1 2 3 4 5 6 7 8 9 10 11 12 13 14 15		
58		-		DR SH CL OP	1 2 3 4 5 6 7 8 9 10 11 12 13 14 15		
59		-		DR SH CL OP	1 2 3 4 5 6 7 8 9 10 11 12 13 14 15		
60		-		DR SH CL OP	1 2 3 4 5 6 7 8 9 10 11 12 13 14 15		
61		-		DR SH CL OP	1 2 3 4 5 6 7 8 9 10 11 12 13 14 15		
62		-		DR SH CL OP	1 2 3 4 5 6 7 8 9 10 11 12 13 14 15		
63		-		DR SH CL OP	1 2 3 4 5 6 7 8 9 10 11 12 13 14 15		
64		-		DR SH CL OP	1 2 3 4 5 6 7 8 9 10 11 12 13 14 15		
65		-		DR SH CL OP	1 2 3 4 5 6 7 8 9 10 11 12 13 14 15		
66		-		DR SH CL OP	1 2 3 4 5 6 7 8 9 10 11 12 13 14 15		
67		-		DR SH CL OP	1 2 3 4 5 6 7 8 9 10 11 12 13 14 15		
68		-		DR SH CL OP	1 2 3 4 5 6 7 8 9 10 11 12 13 14 15		
69		-		DR SH CL OP	1 2 3 4 5 6 7 8 9 10 11 12 13 14 15		
70		-		DR SH CL OP	1 2 3 4 5 6 7 8 9 10 11 12 13 14 15		
71		-		DR SH CL OP	1 2 3 4 5 6 7 8 9 10 11 12 13 14 15		
72		-		DR SH CL OP	1 2 3 4 5 6 7 8 9 10 11 12 13 14 15		
73		-		DR SH CL OP	1 2 3 4 5 6 7 8 9 10 11 12 13 14 15		
74		-		DR SH CL OP	1 2 3 4 5 6 7 8 9 10 11 12 13 14 15		
75		-		DR SH CL OP	1 2 3 4 5 6 7 8 9 10 11 12 13 14 15		
76		-		DR SH CL OP	1 2 3 4 5 6 7 8 9 10 11 12 13 14 15		
77		-		DR SH CL OP	1 2 3 4 5 6 7 8 9 10 11 12 13 14 15		
78		-		DR SH CL OP	1 2 3 4 5 6 7 8 9 10 11 12 13 14 15		
79		-		DR SH CL OP	1 2 3 4 5 6 7 8 9 10 11 12 13 14 15		
80		-		DR SH CL OP	1 2 3 4 5 6 7 8 9 10 11 12 13 14 15		
81		-		DR SH CL OP	1 2 3 4 5 6 7 8 9 10 11 12 13 14 15		
82		-		DR SH CL OP	1 2 3 4 5 6 7 8 9 10 11 12 13 14 15		
83		-		DR SH CL OP	1 2 3 4 5 6 7 8 9 10 11 12 13 14 15		
84		-		DR SH CL OP	1 2 3 4 5 6 7 8 9 10 11 12 13 14 15		
85		-		DR SH CL OP	1 2 3 4 5 6 7 8 9 10 11 12 13 14 15		
86		-		DR SH CL OP	1 2 3 4 5 6 7 8 9 10 11 12 13 14 15		
87		-		DR SH CL OP	1 2 3 4 5 6 7 8 9 10 11 12 13 14 15		
88		-		DR SH CL OP	1 2 3 4 5 6 7 8 9 10 11 12 13 14 15		
89		-		DR SH CL OP	1 2 3 4 5 6 7 8 9 10 11 12 13 14 15		
90		-		DR SH CL OP	1 2 3 4 5 6 7 8 9 10 11 12 13 14 15		
91		-		DR SH CL OP	1 2 3 4 5 6 7 8 9 10 11 12 13 14 15		
92		-		DR SH CL OP	1 2 3 4 5 6 7 8 9 10 11 12 13 14 15		
93		-		DR SH CL OP	1 2 3 4 5 6 7 8 9 10 11 12 13 14 15		
94		-		DR SH CL OP	1 2 3 4 5 6 7 8 9 10 11 12 13 14 15		
95		-		DR SH CL OP	1 2 3 4 5 6 7 8 9 10 11 12 13 14 15		
96		-		DR SH CL OP	1 2 3 4 5 6 7 8 9 10 11 12 13 14 15		
97		-		DR SH CL OP	1 2 3 4 5 6 7 8 9 10 11 12 13 14 15		
98		-		DR SH CL OP	1 2 3 4 5 6 7 8 9 10 11 12 13 14 15		
99		-		DR SH CL OP	1 2 3 4 5 6 7 8 9 10 11 12 13 14 15		

IMPORTANT: Silent Knight products should be tested weekly, to insure complete and proper operation and proper input and output connections.

LIMITED WARRANTY

The manufacturer of the control/communicator warrants that the product of its manufacture shall be free from defects in materials or workmanship for one year from the date of invoice if such goods have been properly installed, are subject to normal use, and have not been modified in any manner whatsoever. Upon return of the defective product to your alarm installer, the manufacturer, at its sole discretion, may either repair or replace, at no cost to the customer, such goods as may be of defective material or workmanship. Customers outside the United States are to return products to their distributor for repair.

THE MANUFACTURER SHALL NOT UNDER ANY CIRCUMSTANCES BE LIABLE FOR ANY INCIDENTAL OR CONSEQUENTIAL DAMAGES ARISING FROM LOSS OF PROPERTY OR OTHER DAMAGE OR LOSSES OWING TO THE FAILURE OF SILENT KNIGHT SECURITY SYSTEMS PRODUCTS BEYOND THE COST OF REPAIR OR REPLACEMENT OF ANY DEFECTIVE PRODUCTS.

THE MANUFACTURER MAKES NO WARRANTY OF FITNESS OR MERCHANTABILITY AND NO OTHER WARRANTY, ORAL OR WRITTEN, EXPRESS OR IMPLIED, BEYOND THE ONE YEAR WARRANTY EXPRESSLY SPECIFIED HEREIN.

WARRANTY EXCHANGE

1. Silent Knight offers an exchange program for defective products with a date stamp less than 60 days old. A new product will be shipped to replace the defective unit, with credit to your account when the defective product is returned.
2. **Warranty exchange** units will be shipped to the customer via normal U.P.S., free of charge to customers who have an account with Silent Knight. Alternative shipping methods are available at the customer's expense.
3. To expedite processing for customers who do not have an account with Silent Knight, **warranty exchange** products will be shipped C.O.D. Upon receipt of the defective product, Silent Knight will issue an immediate refund.
4. Products with a date stamp over 60 days old will be repaired and returned promptly.
5. To expedite your credit or product return, be sure the RA (return authorization) number is clearly marked on the box when you ship the defective unit. To obtain the RA number, call Silent Knight Technical Support Services at 1-800-328-0103. If no RA number is shown on the box, the product will be repaired and returned promptly.
6. To avoid restocking fees or the possibility of paying the full invoice price for the product, please return the defective unit within 15 days after receiving the replacement equipment.
7. To avoid additional charges, be sure the equipment being returned is free of modifications and not missing any parts.
8. To minimize freight charges, please return the PC boards without the metal cabinet whenever possible.